

Characterised control valve, 6-way,
Internal thread

- Two sequences (cooling/heating) with one 90° rotary actuator
- Switching or modulating control on the water side of thermal heating/cooling elements
- For closed cold and warm water systems



Type overview

Type	DN []	Rp ["]	kvs (Sequence I) [m³/h]	kvs (Sequence II) [m³/h]	PN []
VYG 615 - 0,25 - 0,25	15	1/2	0.25	0.25	16
VYG 615 - 0,25 - 0,4	15	1/2	0.25	0.4	16
VYG 615 - 0,25 - 0,63	15	1/2	0.25	0.63	16
VYG 615 - 0,25 - 1	15	1/2	0.25	1	16
VYG 615 - 0,25 - 1,3	15	1/2	0.25	1.3	16
VYG 615 - 0,25 - 1,8	15	1/2	0.25	1.8	16
VYG 615 - 0,4 - 0,25	15	1/2	0.4	0.25	16
VYG 615 - 0,4 - 0,4	15	1/2	0.4	0.4	16
VYG 615 - 0,4 - 0,63	15	1/2	0.4	0.63	16
VYG 615 - 0,4 - 1	15	1/2	0.4	1	16
VYG 615 - 0,4 - 1,3	15	1/2	0.4	1.3	16
VYG 615 - 0,4 - 1,8	15	1/2	0.4	1.8	16
VYG 615 - 0,63 - 0,25	15	1/2	0.63	0.25	16
VYG 615 - 0,63 - 0,4	15	1/2	0.63	0.4	16
VYG 615 - 0,63 - 0,63	15	1/2	0.63	0.63	16
VYG 615 - 0,63 - 1	15	1/2	0.63	1	16
VYG 615 - 0,63 - 1,3	15	1/2	0.63	1.3	16
VYG 615 - 0,63 - 1,8	15	1/2	0.63	1.8	16
VYG 615 - 1 - 0,25	15	1/2	1	0.25	16
VYG 615 - 1 - 0,4	15	1/2	1	0.4	16
VYG 615 - 1 - 0,63	15	1/2	1	0.63	16
VYG 615 - 1 - 1	15	1/2	1	1	16
VYG 615 - 1 - 1,3	15	1/2	1	1.3	16
VYG 615 - 1,3 - 1,8	15	1/2	1	1.8	16
VYG 615 - 1,3 - 0,25	15	1/2	1.3	0.25	16
VYG 615 - 1,3 - 0,4	15	1/2	1.3	0.4	16
VYG 615 - 1,3 - 0,63	15	1/2	1.3	0.63	16
VYG 615 - 1,3 - 1	15	1/2	1.3	1	16
VYG 615 - 1,3 - 1,3	15	1/2	1.3	1.3	16
VYG 615 - 1,3 - 1,8	15	1/2	1.3	1.8	16
VYG 615 - 1,8 - 0,25	15	1/2	1.8	0.25	16
VYG 615 - 1,8 - 0,4	15	1/2	1.8	0.4	16
VYG 615 - 1,8 - 0,63	15	1/2	1.8	0.63	16
VYG 615 - 1,8 - 1	15	1/2	1.8	1	16
VYG 615 - 1,8 - 1,3	15	1/2	1.8	1.3	16
VYG 615 - 1,8 - 1,8	15	1/2	1.8	1.8	16

Type overview

Type	DN []	Rp ["]	kvs (Sequence I) [m ³ /h]	kvs (Sequence II) [m ³ /h]	PN []
VYG 620 - 0,63 - 1,6	20	3/4	0.63	1.6	16
VYG 620 - 0,63 - 2,5	20	3/4	0.63	2.5	16
VYG 620 - 0,63 - 4	20	3/4	0.63	4	16
VYG 620 - 1 - 1,6	20	3/4	1	1.6	16
VYG 620 - 1 - 2,5	20	3/4	1	2.5	16
VYG 620 - 1 - 4	20	3/4	1	4	16
VYG 620 - 1,6 - 0,63	20	3/4	1.6	0.63	16
VYG 620 - 1,6 - 1	20	3/4	1.6	1	16
VYG 620 - 1,6 - 1,6	20	3/4	1.6	1.6	16
VYG 620 - 1,6 - 2,5	20	3/4	1.6	2.5	16
VYG 620 - 1,6 - 4	20	3/4	1.6	4	16
VYG 620 - 2,5 - 0,63	20	3/4	2.5	0.63	16
VYG 620 - 2,5 - 1	20	3/4	2.5	1	16
VYG 620 - 2,5 - 1,6	20	3/4	2.5	1.6	16
VYG 620 - 2,5 - 2,5	20	3/4	2.5	2.5	16
VYG 620 - 2,5 - 4	20	3/4	2.5	4	16
VYG 620 - 4 - 0,63	20	3/4	4	0.63	16
VYG 620 - 4 - 1	20	3/4	4	1	16
VYG 620 - 4 - 1,6	20	3/4	4	1.6	16
VYG 620 - 4 - 2,5	20	3/4	4	2.5	16
VYG 620 - 4 - 4	20	3/4	4	4	16

Technical data

Functional data	Media	Cold and warm water, water with glycol up to max. 50% vol.
	Medium temperature	6...80°C
	Permissible pressure ps	1600 kPa
	Differential pressure Δp_{max}	100 kPa
	Differential pressure note	low-noise operation $\Delta p_{v100} < 50\text{kPa}$
	Flow characteristic	Linear
	Leakage rate	Leakage rate A, air-bubble-tight (EN 12266-1)
	Pipe connector	Internal thread according to ISO 7-1
	Angle of rotation	90°
	Angle of rotation note	Sequence 1: 0...30° (Cooling recommended) Dead zone: 30...60° Sequence 2: 60...90° (Heating recommended)
	Installation position	Upright to horizontal (in relation to the stem)
	Maintenance	Maintenance-free
	Materials	Housing
Closing element		chrome-plated brass
Stem		Nickel-plated brass
Stem seal		O-ring EPDM
Ball seat		PTFE, O-ring EPDM
Flow rate diaphragms		rostfreier Stahl

Safety notes



- The valve has been designed for use in stationary heating, ventilation and air-conditioning systems and must not be used outside the specified field of application, especially in aircraft or in any other airborne means of transport.
- Only authorised specialists may carry out installation. All applicable legal or institutional installation regulations must be complied during installation.
- The valve does not contain any parts that can be replaced or repaired by the user.
- The valve may not be disposed of as household refuse. All locally valid regulations and requirements must be observed.
- When determining the flow rate characteristic of controlled devices, the recognised directives must be observed.

Product features

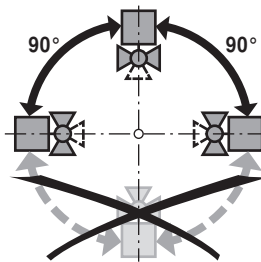
- Mode of operation** The 6-way characterised control valve is adjusted by a rotary actuator. The actuator is connected by a modulating control system or a MP-Bus signal and moves the ball of the ball valve to the position dictated by the positioning signal.
If the valve is adjusted in the clockwise direction (till the end stop), e.g. the cooling sequence is completely enabled; if the valve is adjusted in the counter-clockwise direction (90°), e.g. the heating sequence is completely enabled.
- Pressure compensation** In cases of combined heating/cooling control elements, the medium remains in the control element when in the closed position (no heating or cooling). The pressure of the enclosed medium can rise or fall due to changes in medium temperature caused by the ambient temperature. The 6-way characterised control valves have an integrated pressure relief function for the purpose of compensating for such pressure changes.
The pressure relief function is active in the closed position (45°) of the valve; reliable separation of Sequences 1 and 2 continues. For additional information, consult the notes for project planning for the 6-way characterised control valve.

Accessories

	Description	Type
Mechanical accessories	Pipe connector to ball valve DN 15 Rp 1/2"	ZR2315
	Fastening angle, for 6-way control valves	ZR-004
	Pipe connector to ball valve DN 20 Rp 3/4"	ZR2320

Installation notes

- Recommended installation positions** The ball valve can be installed upright to horizontal. The ball valve may not be installed in a hanging position, i.e. with the stem pointing downwards.

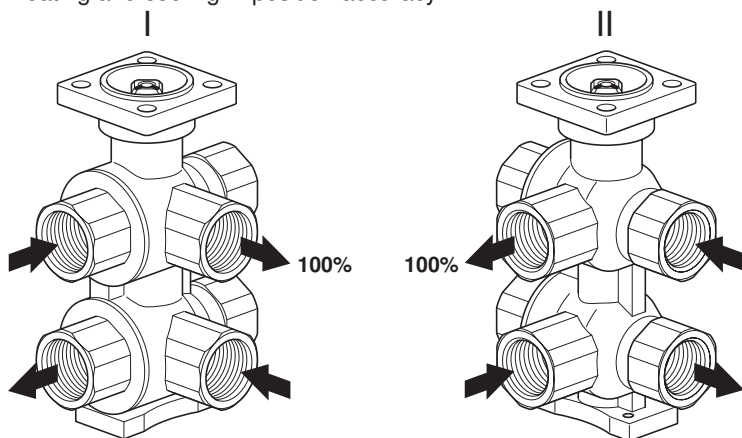


- Water quality requirements** The water quality requirements specified in VDI 2035 must be adhered to. Belimo valves are regulating devices. For the valves to function correctly in the long term, they must be kept free from particle debris (e.g. welding beads during installation work). The installation of suitable strainer is recommended.
- Maintenance** Ball valves and rotary actuators are maintenance-free.
Before any service work on the final controlling device is carried out, it is essential to isolate the rotary actuator from the power supply (by unplugging the electrical cable if necessary). Any pumps in the part of the piping system concerned must also be switched off and the appropriate slide valves closed (allow all components to cool down first if necessary and always reduce the system pressure to ambient pressure level).
The system must not be returned to service until the ball valve and the rotary actuator have been correctly reassembled in accordance with the instructions and the pipeline has been refilled by professionally trained personnel.

Installation notes

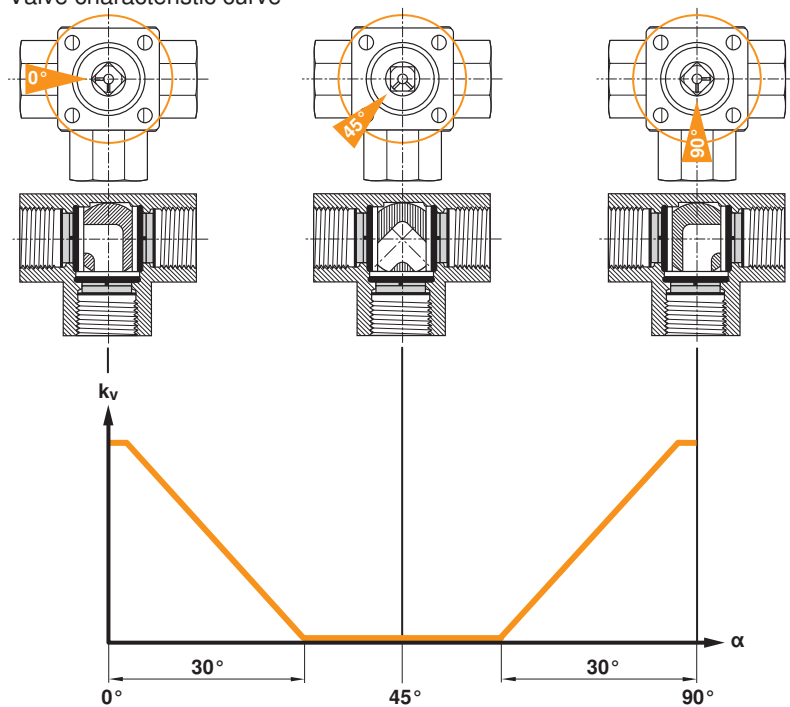
Flow direction The flow direction must be observed. The position of the ball can be identified from the L-marking on the stem.

Heating and cooling in position accuracy



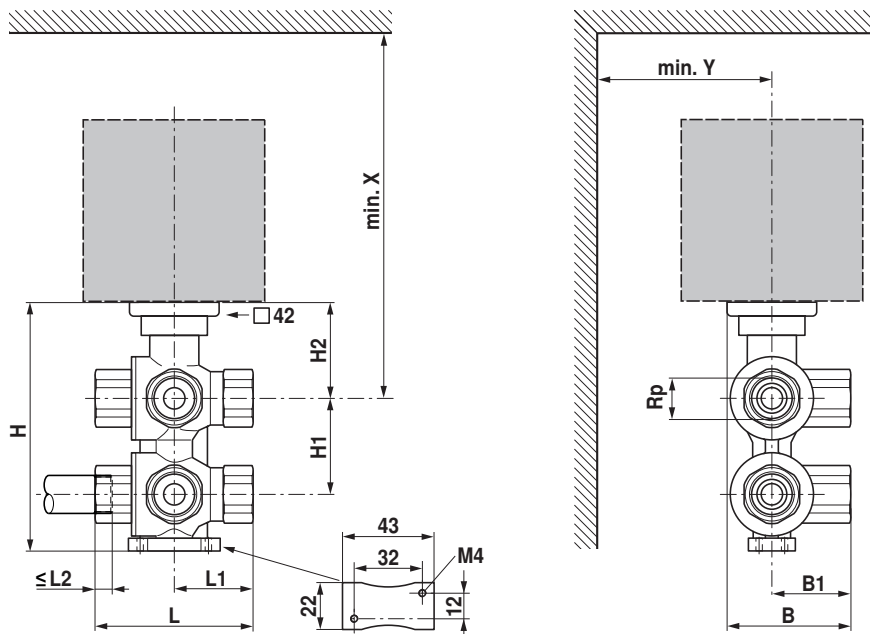
Valve characteristic curve The lower diagram shows the valve characteristic curve in relation to the ball position.

Valve characteristic curve



Dimensions / Weight

Dimensional drawings



The actuator dimensions can be found on the respective actuator data sheet.

Type	DN []	Rp ["]	L [mm]	L1 [mm]	L2 [mm]	B [mm]	B1 [mm]	H [mm]	H1 [mm]	H2 [mm]	X [mm]	Y [mm]	Weight [kg]
VYG 615 - 0,25 - 0,25	15	1/2	79	39.5	13	54	33	119	45	47	200	40	1.1
VYG 615 - 0,25 - 0,4	15	1/2	79	39.5	13	54	33	119	45	47	200	40	1.1
VYG 615 - 0,25 - 0,63	15	1/2	79	39.5	13	54	33	119	45	47	200	40	1.1
VYG 615 - 0,25 - 1	15	1/2	79	39.5	13	54	33	119	45	47	200	40	1.1
VYG 615 - 0,25 - 1,3	15	1/2	79	39.5	13	54	33	119	45	47	200	40	1.1
VYG 615 - 0,25 - 1,8	15	1/2	79	39.5	13	54	33	119	45	47	200	40	1.1
VYG 615 - 0,4 - 0,25	15	1/2	79	39.5	13	54	33	119	45	47	200	40	1.1
VYG 615 - 0,4 - 0,4	15	1/2	79	39.5	13	54	33	119	45	47	200	40	1.1
VYG 615 - 0,4 - 0,63	15	1/2	79	39.5	13	54	33	119	45	47	200	40	1.1
VYG 615 - 0,4 - 1	15	1/2	79	39.5	13	54	33	119	45	47	200	40	1.1
VYG 615 - 0,4 - 1,3	15	1/2	79	39.5	13	54	33	119	45	47	200	40	1.1
VYG 615 - 0,4 - 1,8	15	1/2	79	39.5	13	54	33	119	45	47	200	40	1.1
VYG 615 - 0,63 - 0,25	15	1/2	79	39.5	13	54	33	119	45	47	200	40	1.1
VYG 615 - 0,63 - 0,4	15	1/2	79	39.5	13	54	33	119	45	47	200	40	1.1
VYG 615 - 0,63 - 0,63	15	1/2	79	39.5	13	54	33	119	45	47	200	40	1.1
VYG 615 - 0,63 - 1	15	1/2	79	39.5	13	54	33	119	45	47	200	40	1.1
VYG 615 - 0,63 - 1,3	15	1/2	79	39.5	13	54	33	119	45	47	200	40	1.1
VYG 615 - 0,63 - 1,8	15	1/2	79	39.5	13	54	33	119	45	47	200	40	1.1
VYG 615 - 1 - 0,25	15	1/2	79	39.5	13	54	33	119	45	47	200	40	1.1
VYG 615 - 1 - 0,4	15	1/2	79	39.5	13	54	33	119	45	47	200	40	1.1
VYG 615 - 1 - 0,63	15	1/2	79	39.5	13	54	33	119	45	47	200	40	1.1
VYG 615 - 1 - 1	15	1/2	79	39.5	13	54	33	119	45	47	200	40	1.1
VYG 615 - 1 - 1,3	15	1/2	79	39.5	13	54	33	119	45	47	200	40	1.1
VYG 615 - 1 - 1,8	15	1/2	79	39.5	13	54	33	119	45	47	200	40	1.1
VYG 615 - 1,3 - 0,25	15	1/2	79	39.5	13	54	33	119	45	47	200	40	1.1
VYG 615 - 1,3 - 0,4	15	1/2	79	39.5	13	54	33	119	45	47	200	40	1.1
VYG 615 - 1,3 - 0,63	15	1/2	79	39.5	13	54	33	119	45	47	200	40	1.1
VYG 615 - 1,3 - 1	15	1/2	79	39.5	13	54	33	119	45	47	200	40	1.1
VYG 615 - 1,3 - 1,3	15	1/2	79	39.5	13	54	33	119	45	47	200	40	1.1
VYG 615 - 1,3 - 1,8	15	1/2	79	39.5	13	54	33	119	45	47	200	40	1.1
VYG 615 - 1,8 - 0,25	15	1/2	79	39.5	13	54	33	119	45	47	200	40	1.1
VYG 615 - 1,8 - 0,4	15	1/2	79	39.5	13	54	33	119	45	47	200	40	1.1
VYG 615 - 1,8 - 0,63	15	1/2	79	39.5	13	54	33	119	45	47	200	40	1.1
VYG 615 - 1,8 - 1	15	1/2	79	39.5	13	54	33	119	45	47	200	40	1.1
VYG 615 - 1,8 - 1,3	15	1/2	79	39.5	13	54	33	119	45	47	200	40	1.1
VYG 615 - 1,8 - 1,8	15	1/2	79	39.5	13	54	33	119	45	47	200	40	1.1

Dimensions / Weight

Type	DN []	Rp ["]	L [mm]	L1 [mm]	L2 [mm]	B [mm]	B1 [mm]	H [mm]	H1 [mm]	H2 [mm]	X [mm]	Y [mm]	Weight [kg]
VYG 620 - 0,63 - 1,6	20	3/4	100	50	14	70	43	148	59	54	230	40	2.1
VYG 620 - 0,63 - 2,5	20	3/4	100	50	14	70	43	148	59	54	230	40	2.1
VYG 620 - 0,63 - 4	20	3/4	100	50	14	70	43	148	59	54	230	40	2.1
VYG 620 - 1 - 1,6	20	3/4	100	50	14	70	43	148	59	54	230	40	2.1
VYG 620 - 1 - 2,5	20	3/4	100	50	14	70	43	148	59	54	230	40	2.1
VYG 620 - 1 - 4	20	3/4	100	50	14	70	43	148	59	54	230	40	2.1
VYG 620 - 1,6 - 0,63	20	3/4	100	50	14	70	43	148	59	54	230	40	2.1
VYG 620 - 1,6 - 1	20	3/4	100	50	14	70	43	148	59	54	230	40	2.1
VYG 620 - 1,6 - 1,6	20	3/4	100	50	14	70	43	148	59	54	230	40	2.1
VYG 620 - 1,6 - 2,5	20	3/4	100	50	14	70	43	148	59	54	230	40	2.1
VYG 620 - 1,6 - 4	20	3/4	100	50	14	70	43	148	59	54	230	40	2.1
VYG 620 - 2,5 - 0,63	20	3/4	100	50	14	70	43	148	59	54	230	40	2.1
VYG 620 - 2,5 - 1	20	3/4	100	50	14	70	43	148	59	54	230	40	2.1
VYG 620 - 2,5 - 1,6	20	3/4	100	50	14	70	43	148	59	54	230	40	2.1
VYG 620 - 2,5 - 2,5	20	3/4	100	50	14	70	43	148	59	54	230	40	2.1
VYG 620 - 2,5 - 4	20	3/4	100	50	14	70	43	148	59	54	230	40	2.1
VYG 620 - 4 - 0,63	20	3/4	100	50	14	70	43	148	59	54	230	40	2.1
VYG 620 - 4 - 1	20	3/4	100	50	14	70	43	148	59	54	230	40	2.1
VYG 620 - 4 - 1,6	20	3/4	100	50	14	70	43	148	59	54	230	40	2.1
VYG 620 - 4 - 2,5	20	3/4	100	50	14	70	43	148	59	54	230	40	2.1
VYG 620 - 4 - 4	20	3/4	100	50	14	70	43	148	59	54	230	40	2.1

Further documentation

- Overview Valve-actuator combinations
- Data sheets for actuators
- Installation instructions for actuators and/or ball valves
- Notes for project planning for 6-way characterised control valves

coste(r)group

Sede Legale: Via San G.B. de la Salle, 4/a - 20132 Milano

tel. 022722121 www.costergroup.eu

fax 022593645 info@costergroup.eu

ASSISTENZA TECNICA

Numero Verde
800-COSTER
800-267837



Iscrizione al Registro AEE con numero IT17030000009747